

# English Grammar, Punctuation and Spelling

1. Insert a **comma** in the correct place in the sentence below.

While I visit Nana I will water the plants, in her garden.

1 mark

2. The prefix dis- can be added to the root word continue to make the word **discontinue**.

Tick the meaning of the word **discontinue**.

Tick **one**.

- to continue together
- to continue later
- to not continue
- to continue badly

1 mark

3. Tick **one** box in each row to show whether the sentence is a **question**, a **statement** or a **command**.

Sentence	Question	Statement	Command
Clumps of frogspawn are laid in ponds		✓	
Watch the tadpoles carefully			
Tadpoles transform and become froglets		✓	✓
Is that a tadpole or a froglet	✓		

1 mark

4. Tick the **adverb** in the sentence below.

Tick **one**.

The ugly duckling paddled quickly across the oily pool.

- 
- 
- 
- 

1 mark

5. Insert a **pair of commas** in the correct place in the sentence below.

My teacher who travels a long way to school, got stuck in the snow.

1 mark

6. Which sentence is grammatically correct?

Tick **one**.

Yesterday we will go to school.

In a fortnight, it will be a school holiday.

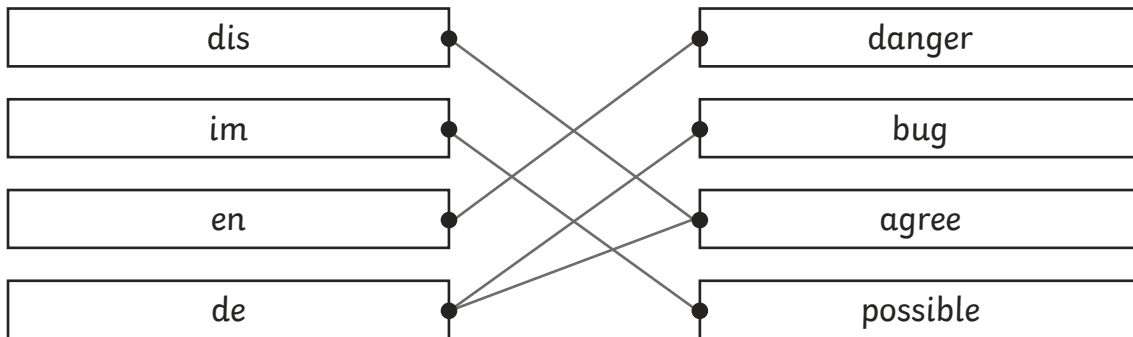
Last September, we come into year 6.

Next year, we had gone to secondary school.

1 mark

7. Draw a line to match each **prefix** to a word to make **four** different words.

Use each prefix only once.



1 mark

8. Which sentence is written in **Standard English**?

Tick **one**.

My uncle come to our house yesterday.

My mum were tidying up before he arrived.

Today we done lots of fun activities.

My auntie is going to join us next week.

1 mark

9. What is the grammatical term for the underlined part of the sentence?

Junaid threw the ball but it didn't hit the target.

Tick **one**.

an adverbial

a main clause

a noun phrase

a subordinate clause

1 mark

10. Explain how the **modal verb** changes the meaning of the second sentence.

1) We all go to the cinema every Tuesday.

2) We could all go to the cinema every Tuesday.

*The second sentence means that we could all go to the cinema.*

1 mark

\*\*END OF TEST\*\*